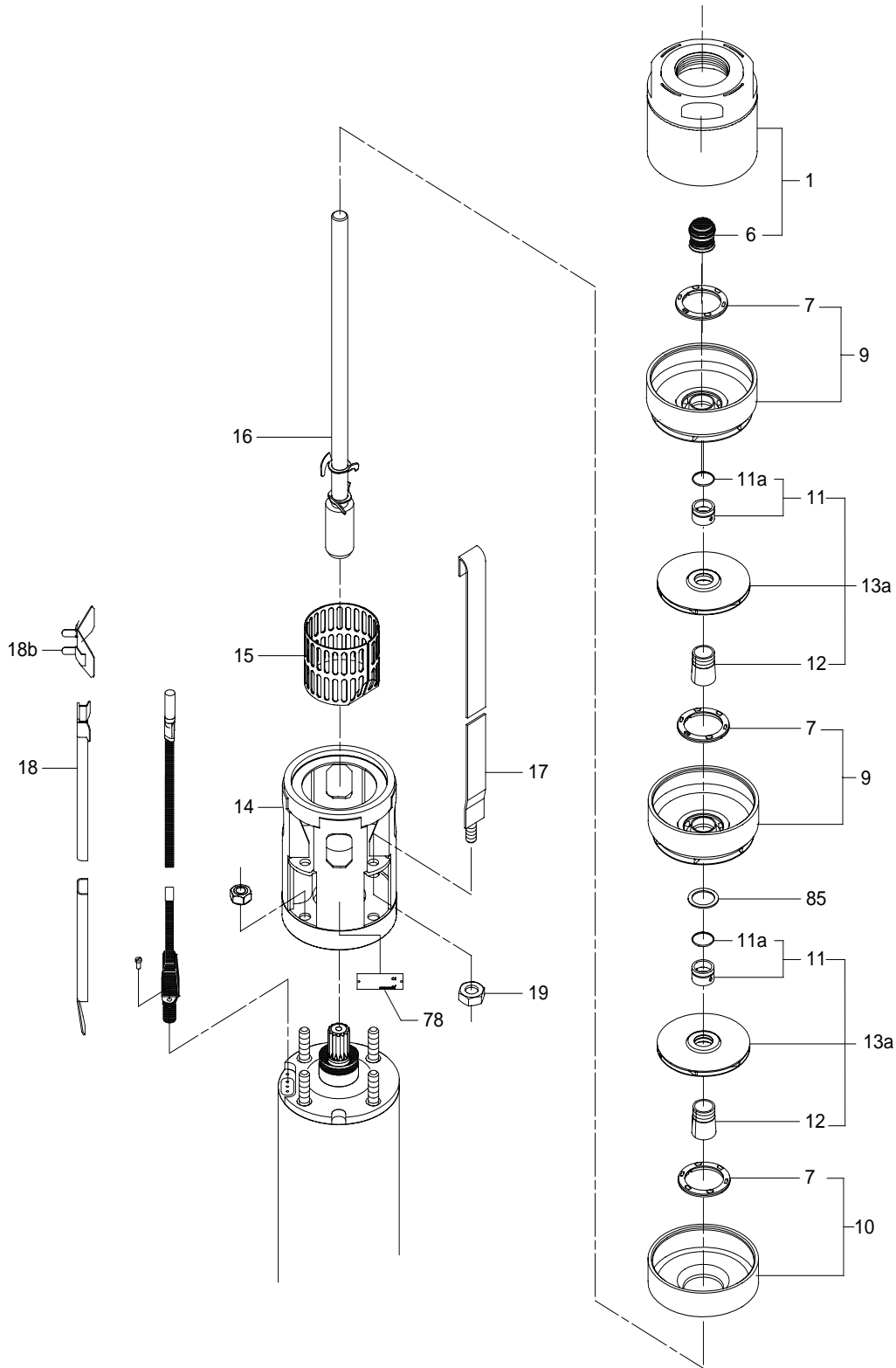


79. SP**SP 1A, 2A model A****50/60 Hz, Cone and nut type****Wear parts**

	Kit No	105059	095059	095060	095061	095062
Pos.	Number of stages	31-39	40-48	49-60	61-75	76-90
	Description					
6	Top bearing	1	1	1	1	1
7	Neck ring	39	48	60	75	90
85	Stop ring	3	3	3	3	3

SP 1A, 2A model A



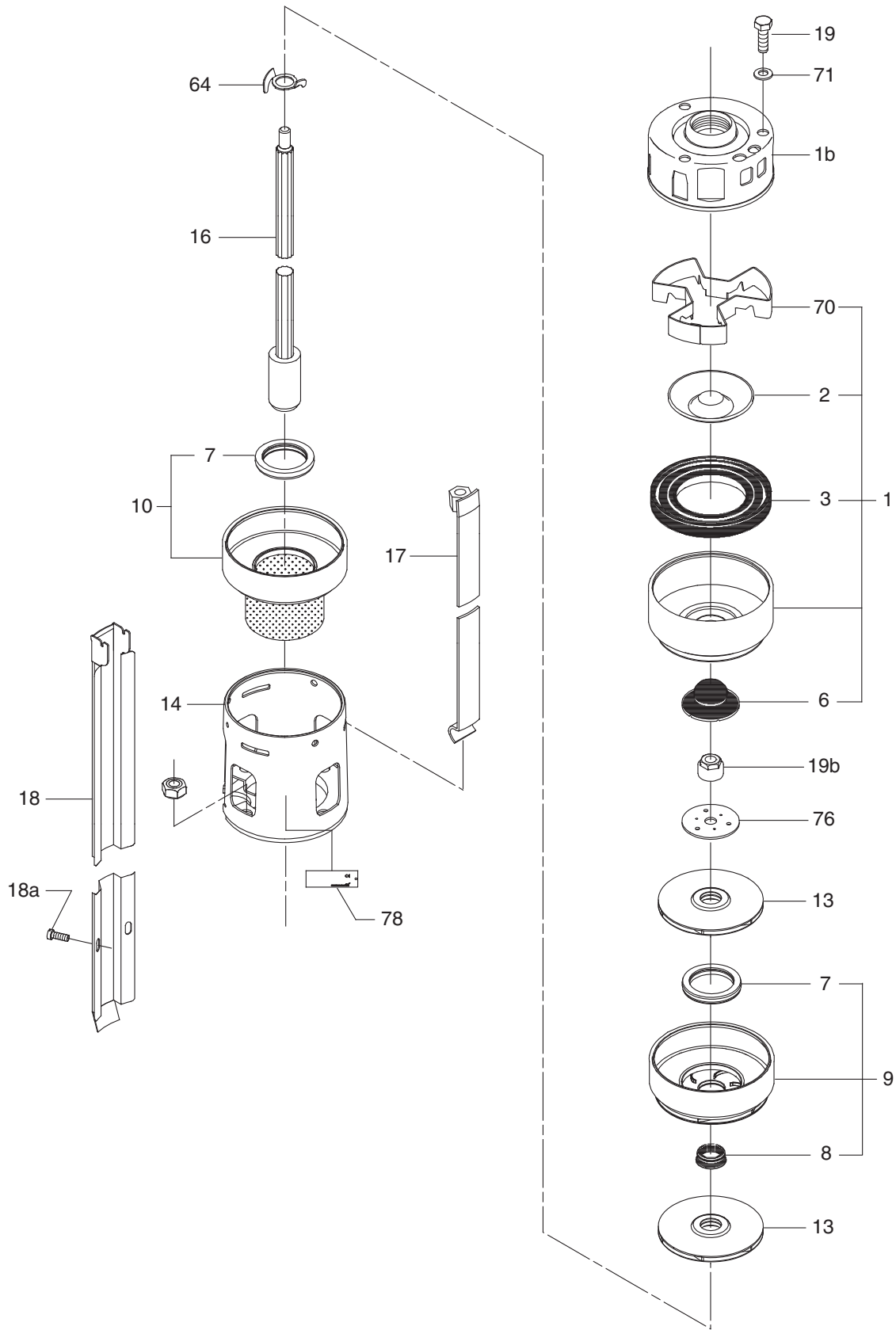
SP 1A, 2A model A SP

TM01 9316 3403

SP 1A, 1.5A, 2A model A**50/60 Hz, Splined shaft****Wear parts**

Kit No	095054	055008	055009	095056	055010	055011	
Pos.	Number of stages	-6	7-9	10-15	16-21	22-26	27-33
Description							
3	Valve seat	1	1	1	1	1	1
6	Top bearing	1	1	1	1	1	1
7	Neck ring	6	9	15	21	26	33
8	Bearing	6	9	15	21	26	33
19b	Lock nut, M8	1	1	1	1	1	1
	Lock nut, 5/16" UNF	1	1	1	1	1	1
70	Valve guide	1	1	1	1	1	1
76	Washer	1	1	1	1	1	1

SP 1A, 1.5A, 2A model A



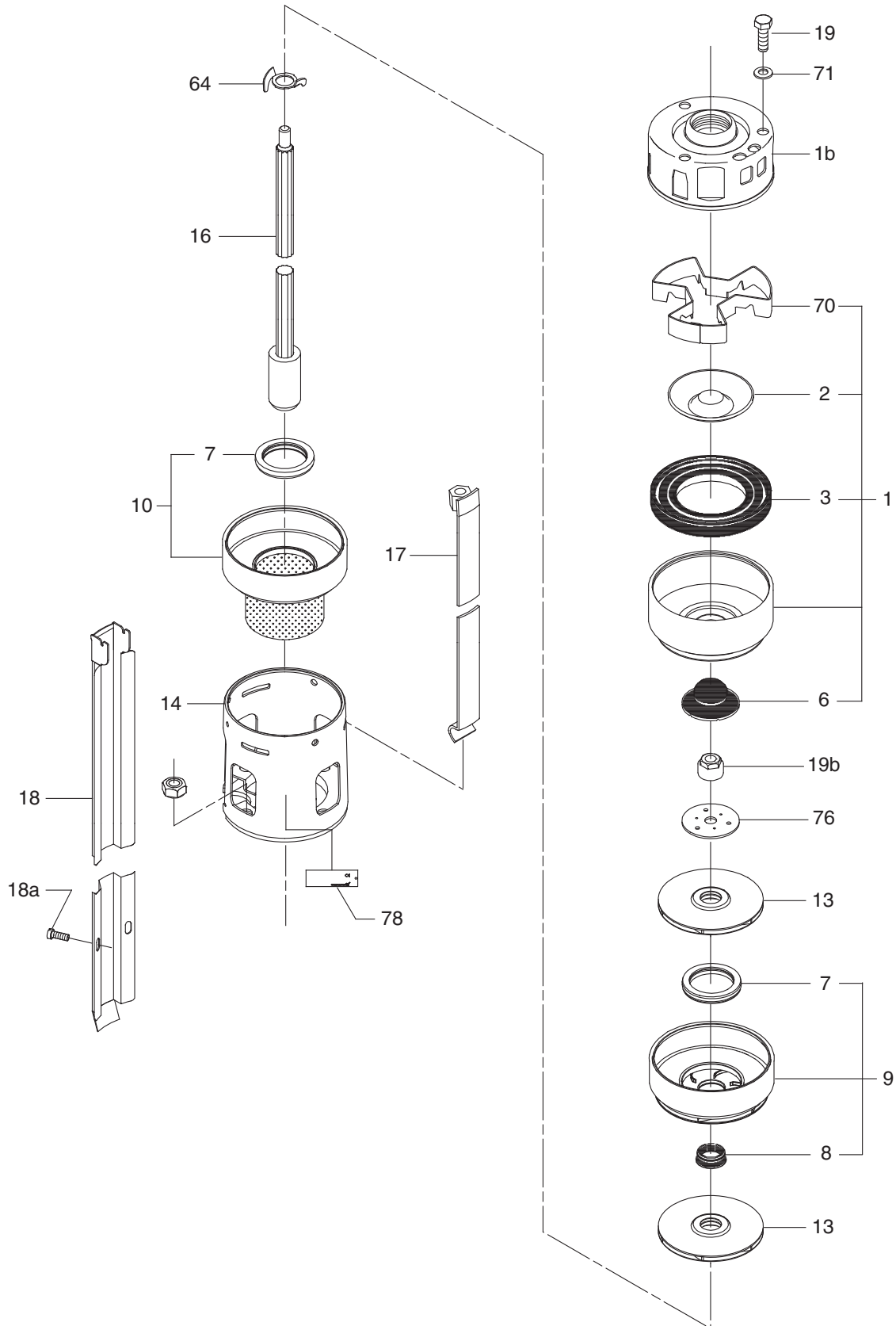
SP 1A, 1.5A, 2A model A SP

TM01 9315 1600

SP 3A, 5A model A**50/60 Hz, Splined shaft****Wear parts**

Kit No	095054	055008	055009	095056	055010	055011
Pos.	1-6	7-9	10-15	16-21	22-26	27-33
Description						
3	Valve seat	1	1	1	1	1
6	Top bearing	1	1	1	1	1
7	Neck ring	6	9	15	21	33
8	Bearing	6	9	15	21	33
19b	Lock nut	1	1	1	1	1
70	Valve guide	1	1	1	1	1
76	Washer	1	1	1	1	1

SP 3A, 5A model A



TM 01 9315 1600

Cone and nut type**Wear parts****SP 3A (N), SP 5A (N)**

Kit No	105543	105544	055504	105546	105547	105059	095059	095060	095061	095062	
Pos.	Number of stages	-5	6-10	11-15	16-24	25-30	31-39	40-48	49-60	61-75	76-90
Description											
3	Valve seat	1	1	1	1	1	-	-	-	-	-
6	Top bearing	1	1	1	1	1	1	1	1	1	1
7	Neck ring	5	10	15	24	30	39	48	60	75	90
85	Stop ring	1	2	3	3	3	3	3	3	3	3

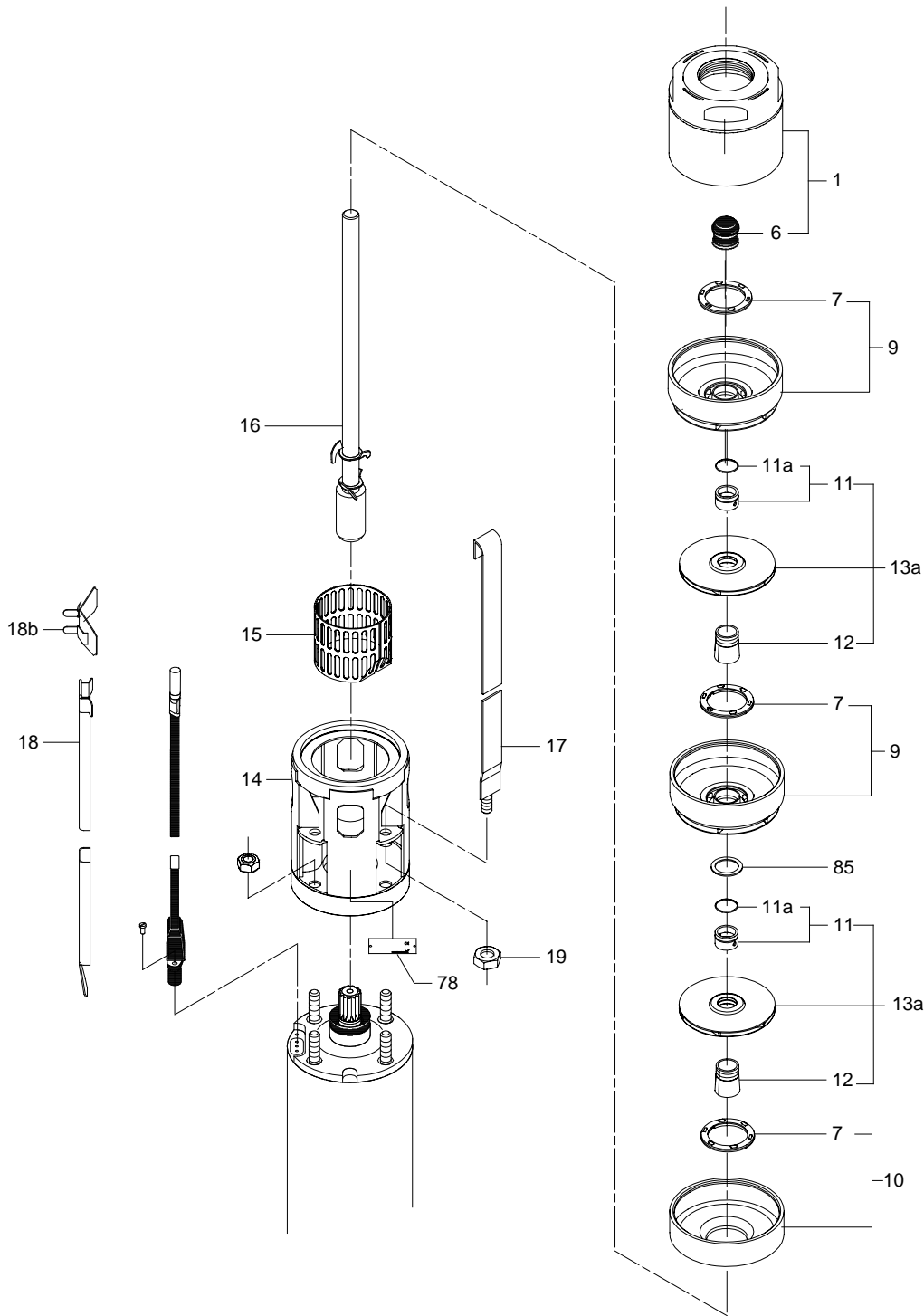
SP 3A NE, SP 5A NE

Kit No	96440231	96440230	96440229	96440228	96440227	
Pos.	Number of stages	-12	-25	-33	-45	-60
Description						
6	Top bearing	1	1	1	1	1
7	Neck ring	12	25	33	45	60
85	Stop ring	2	3	3	3	3

SP 3A R, SP 5A R

Kit No	105969	105970	105971	105972	105973	105974	105975	105976	
Pos.	Number of stages	-5	6-10	11-15	16-24	25-30	31-39	40-48	49-60
Description									
6	Top bearing	1	1	1	1	1	1	1	1
7	Neck ring	5	10	15	24	30	39	48	60
85	Stop ring	1	2	2	3	3	3	3	3

SP 3A, 5A model A



TM01 9316 1600

SP 8A (N) (NE) (R) model A**Wear parts****SP 8A, SP 8A R**

Pos.	Kit No	SP 8A before yyww 9444				SP 8A and SP 8A R after yyww 9444			
		115046	115047	115048	115103	96428935	96428936	96428937	96428938
	Number of stages	5-10	12-18	21-25	28-37	5-10	12-18	21-25	28-37
	Description								
3	Valve seat	1	1	1	1	-	-	-	-
6	Top bearing	1	1	1	1	1	1	1	1
7	Neck ring	10	18	25	37	10	18	25	37
8	Bearing	9	17	24	36	9	17	24	36

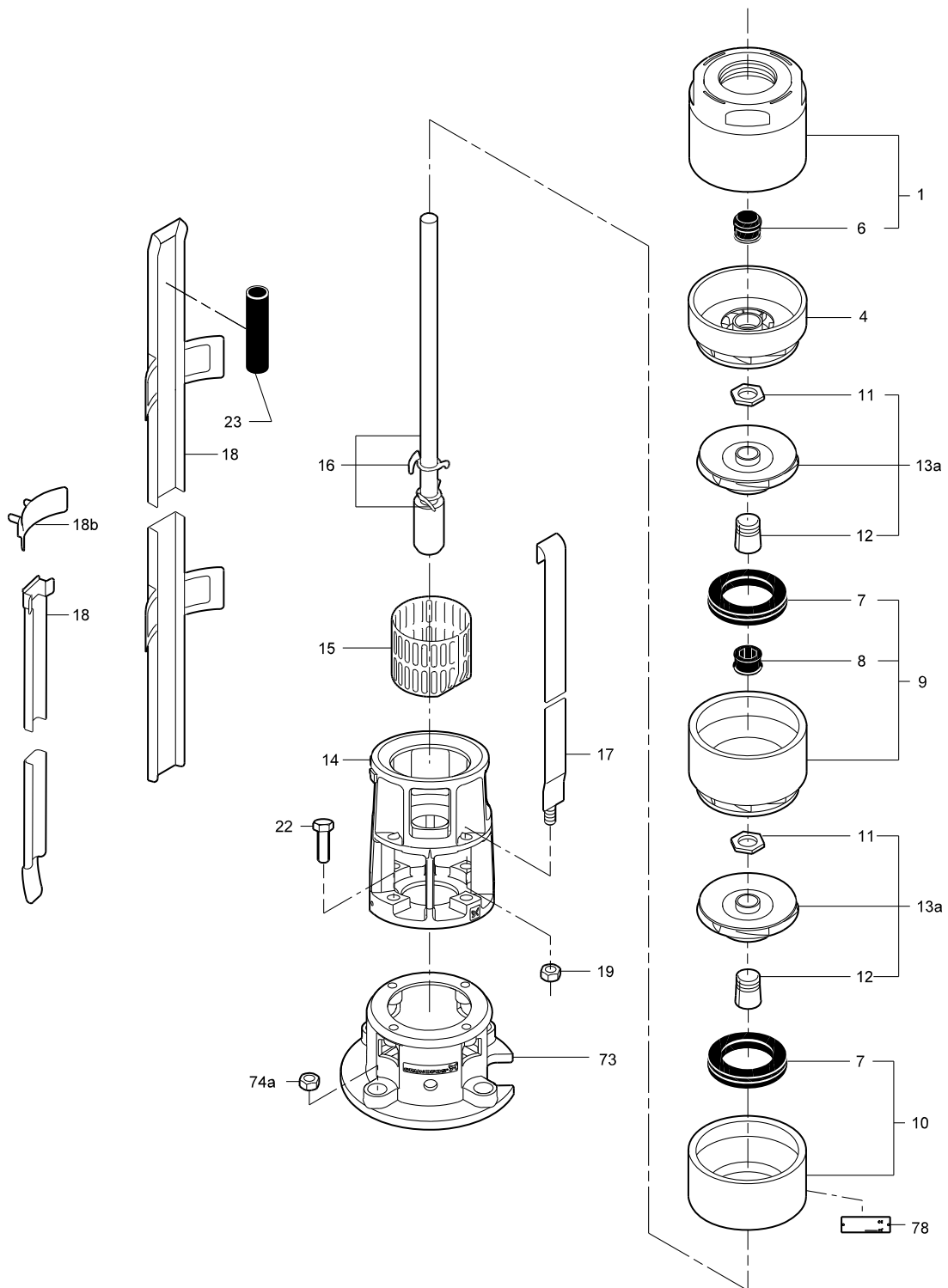
SP 8A N

Pos.	Kit No	Before yyww 9444			SP 8A N after yyww 9444		
		115587	115588	115589	96428935	96428936	96428937
	Number of stages	5-10	12-18	21-25	5-10	12-18	21-25
	Description						
3	Valve seat	1	1	1	-	-	-
6	Top bearing	1	1	1	1	1	1
7	Neck ring	10	18	25	10	18	25
8	Bearing	9	17	24	9	17	24

SP 8A NE

Pos.	Kit No	Before yyww 9444			After yyww 9444			
		115567	115568	115569	96428939	96428940	96428941	96441561
	Number of stages	5-10	12-18	21-25	5-10	12-18	21-25	26-37
	Description							
3	Valve seat	-	1	1	-	-	-	1
6	Top bearing	1	1	1	1	1	1	1
7	Neck ring	10	18	25	10	18	25	37
85	Stop ring	9	17	24	9	17	24	36

SP 8A (N) (NE) (R) model A



SP 8A (N) (NE) (R) model A SP

TMO1 9320 1909

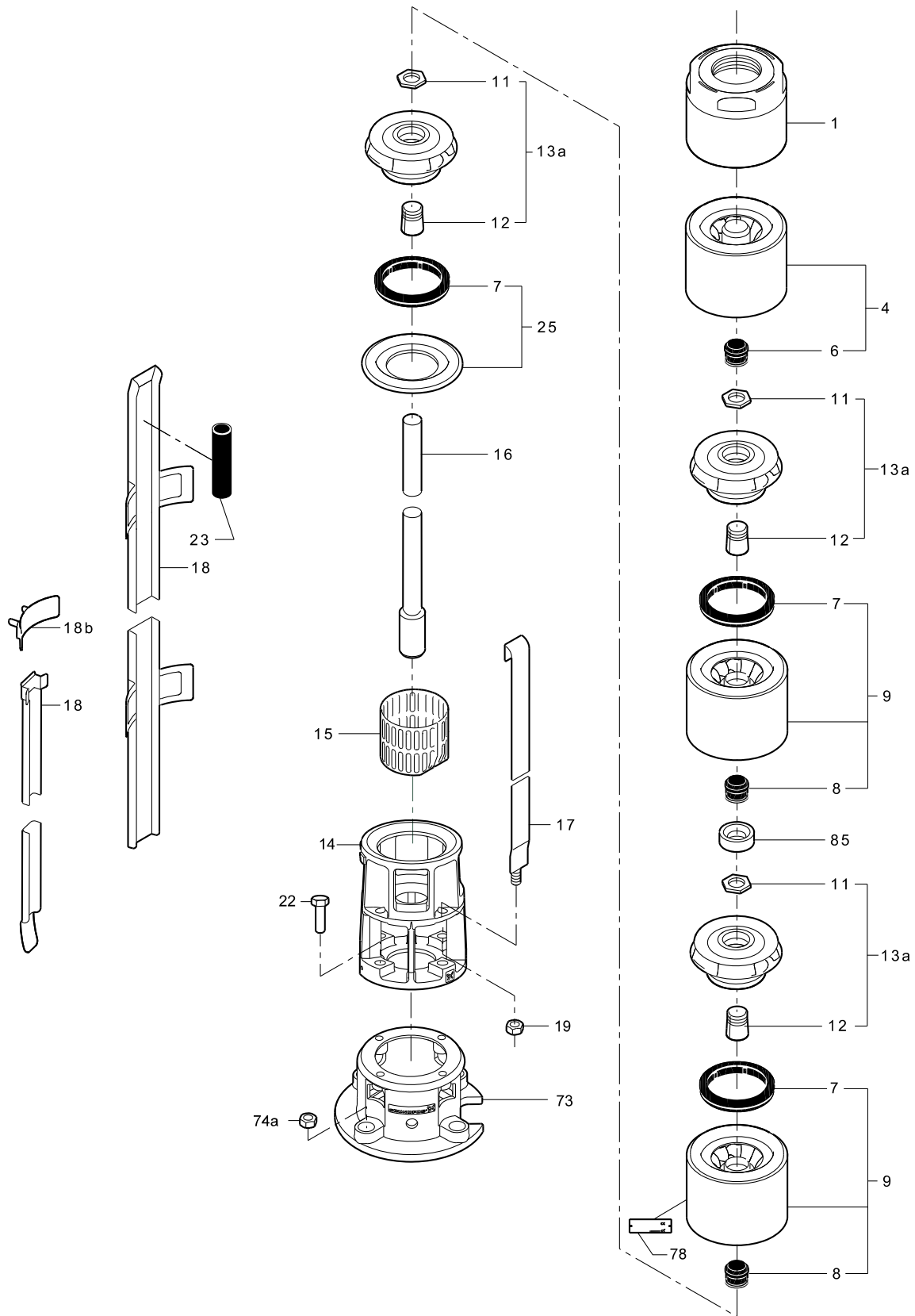
SP 11A, 14A model A**Wear parts****SP 11A, SP 14A**

Kit No		075008	075009	075010	075011
Pos.	Number of stages	-5	7-13	14-18	20-25
Description					
3	Valve seat	1	1	1	1
6	Top bearing	1	1	1	1
7	Neck ring	5	13	18	25
8	Bearing	5	13	18	25
11	Split cone nut	5	13	18	25
12	Split cone	5	13	18	25
85	Stop ring	1	1	1	1

SP 14A N

Kit No		075507	075508	075509	075510
Pos.	Number of stages	-5	7-13	14-18	20-25
Description					
7	Neck ring	5	13	18	25
8	Bearing	5	13	18	25
11	Split cone nut	5	13	18	25
12	Split cone	5	13	18	25
85	Stop ring	1	1	1	1

SP 11A, 14A model A



SP 11A, 14A model A SP

TM01 9323 3809

SP 7, 9, 11, 14**Wear parts****SP 7, 9 NBR**

Pos.	Kit No.	98766923	98766924	98766929	98766930	98766935	98766936	98766941	98766942	98766947
	Number of stages	1		2-5		6-10		11-25		26-50
	Description									
3a	Valve seat	1	1	1	1	1	1	1	1	1
8	Bearing shaft ?12,5	1	-	5	-	10	-	25	-	50
8	Bearing shaft ? 16	-	1	-	5	-	10	-	25	50
7 / 68	Seal ring	2	2	6	6	10	10	25	25	50

SP 7, 9 FKM

Pos.	Kit No.	98766925	98766926	98766931	98766932	98766937	98766938	98766943	98766944	98766948
	Number of Stages	1		2-5		6-10		11-25		26-50
	Description									
3a	Valve seat	1	1	1	1	1	1	1	1	1
8	Bearing shaft ?12,5	1	-	5	-	10	-	25	-	50
8	Bearing shaft ?16	-	1	-	5	-	10	-	25	50
7 / 68	Seal ring	2	2	6	6	11	11	26	26	51

SP 11, 14 NBR

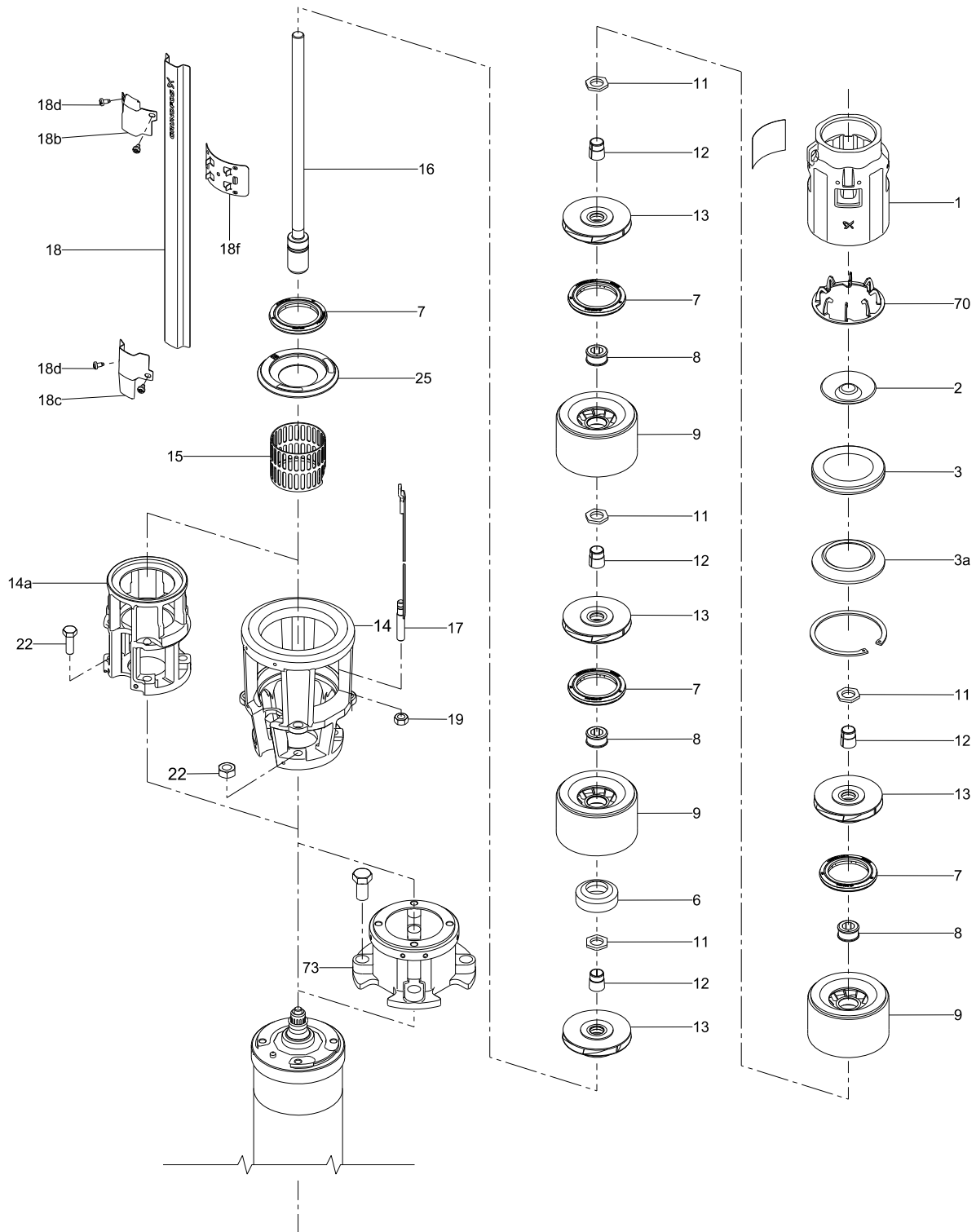
Pos.	Kit No.	98766927	98766933	98766939	98766945
	Number of Stages	1	5	10	25
	Description				
3a	Valve seat	1	1	1	1
8	Bearing shaft Ø 16	1	5	10	25
7 / 68	Seal ring	2	2	6	6

SP 11, 14 FKM

Pos.	Kit No.	98766928	98766934	98766940	98766946
	Number of Stages	1	5	10	25
	Description				
3a	Valve seat	1	1	1	1
8	Bearing shaft ?16	1	5	10	25
7 / 68	Seal ring	2	6	11	26

SP 7, 9, 11, 14

SP 7, 9, 11, 14 SP



TM06 1865 2012

SP 17 model A

Wear parts

SP 17, SP 17 N, SP 17 R

Pos.	Kit No	96421723	96421724	96421725	96440238	96488045	96488046
	Number of stages	1-5	6-16	17-26	27-40	-50	-60
	Description						
3	Valve seat	1	1	1	-	-	-
6	Bearing	1	1	1	-	-	-
7	Neck ring	5	16	26	40	50	60
8	Bearing	4	15	25	39	49	59
8a	Spacing washer	1	1	1	1	1	1
72	Wear ring	5	16	26	40	50	60

Impeller

Pos.	Pump type	SP 17	SP 17 N	SP 17 R
	Kit No	97506595	96903203	96903204
	Description			
11, 12, 13, 72	Impeller with split cone and nut	1	1	1

Split cone with nut

Pos.	Pump type	SP 17	SP 17 N	SP 17 R
	Kit No	97508279	96901911	96901953
	Description			
11	Split cone nut	1	1	1
12	Split cone	1	1	1

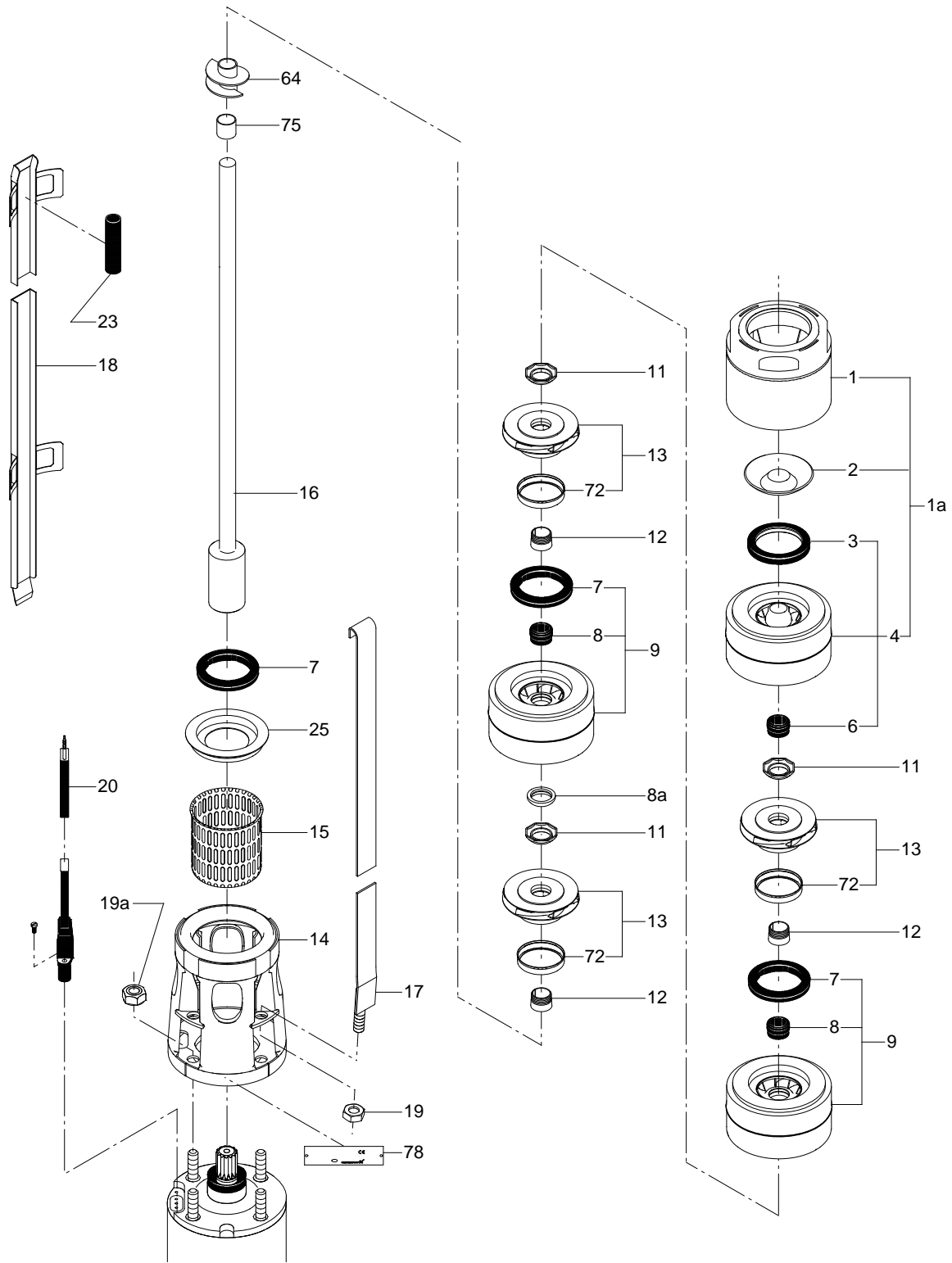
Split cone with stop nut

Pos.	Pump type	SP 17	SP 17 N	SP 17 R
	Kit No	97508314	96901960	96901961
	Description			
11	Split cone nut	1	1	1
12	Split cone	1	1	1
-	Spacing washer for stop ring	1	1	1

Cable termination (shrink-flex)

See the SP data booklet.

SP 17 model A



TM01 2257 2301

SP 17 model B**Wear parts, NBR****SP 17, SP 17 N, SP 17 R**

Pos.	Kit No	97945520	97945521	97937872	97937873	97937874	97937875	97937876
	Number of stages	1-5	6-12	13-19	20-30	31-40	41-50	51-60
	Description							
3	Valve seat	1	1	1	1	1	1	1
7	Neck ring	5	12	19	30	40	50	60
8	Bearing	5	12	19	30	40	50	60
8a	Spacing washer	1	1	1	1	1	1	1
37	O-ring	-	-	-	1	1	1	1
72	Wear ring	5	12	19	30	40	50	60
142a	Bearing for valve cup	1	1	1	1	1	1	1

Wear parts, FKM**SP 17, SP 17 N, SP 17 R**

Pos.	Kit No	97937891	97937892	97937893	97937894	97937895	97937896	97937897
	Number of stages	1-5	6-12	13-19	20-30	31-40	41-50	51-60
	Description							
3	Valve seat	1	1	1	1	1	1	1
7	Neck ring	5	12	19	30	40	50	60
8	Bearing	5	12	19	30	40	50	60
8a	Spacing washer	1	1	1	1	1	1	1
37	O-ring	-	-	-	1	1	1	1
72	Wear ring	5	12	19	30	40	50	60
142a	Bearing for valve cup	1	1	1	1	1	1	1

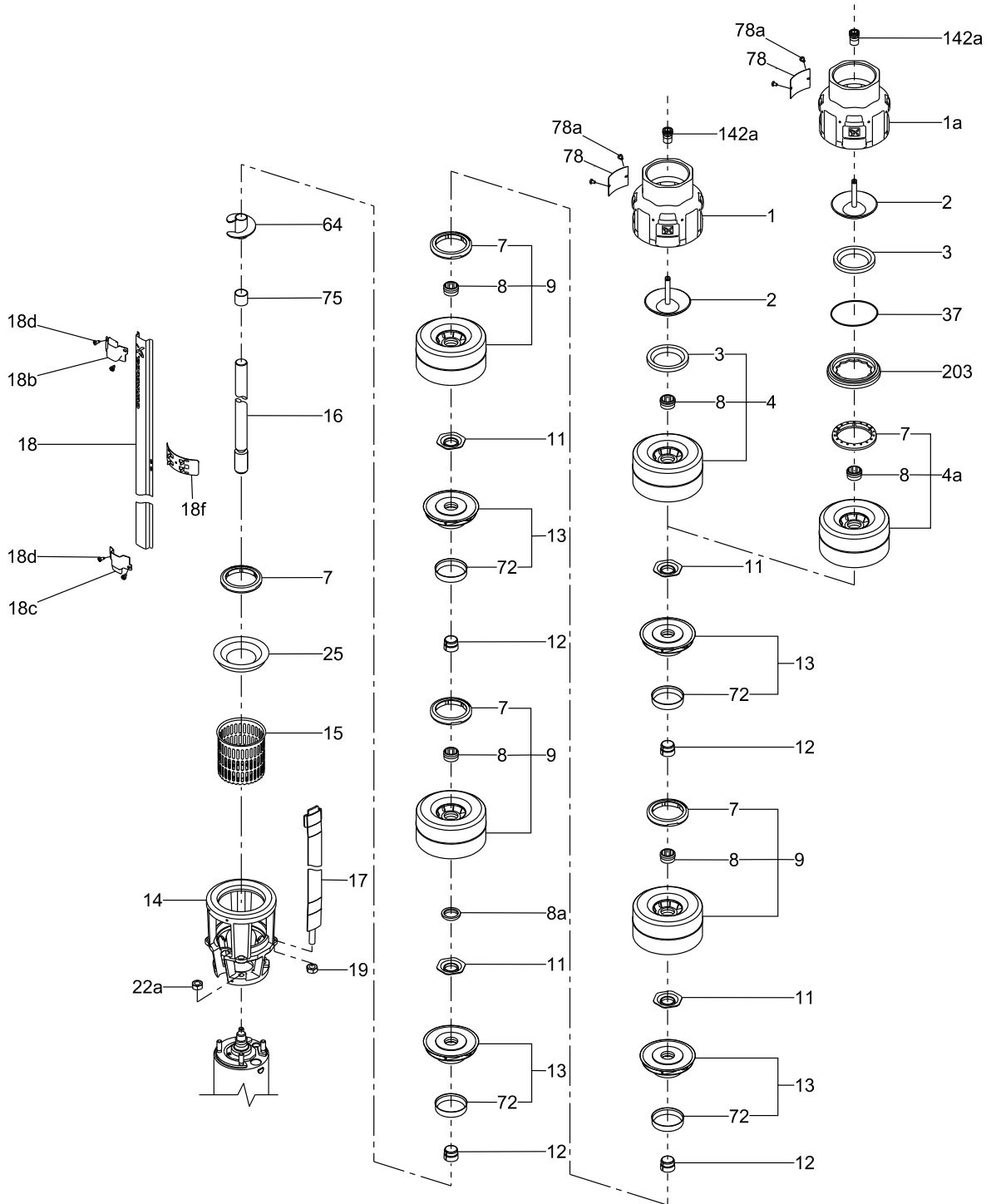
Wear parts, Wear resistant bearing**SP 17, SP 17 N, SP 17 R**

Pos.	Kit No	98098277	98098278	98098279	98098280	98098311	98098312	98098313
	Number of stages	1-5	6-12	13-19	20-30	31-40	41-50	51-60
	Description							
3	Valve seat	1	1	1	1	1	1	1
7	Neck ring	5	12	19	30	40	50	60
8	Bearing	5	12	19	30	40	50	60
8a	Spacing washer	1	1	1	1	1	1	1
37	O-ring	-	-	-	1	1	1	1
72	Wear ring	5	12	19	30	40	50	60
142a	Bearing for valve cup	1	1	1	1	1	1	1

Cable termination (shrink-flex)

See the SP data booklet.

SP 17 model B



TM05 5375 3612

SP 30 model A

Wear parts

SP 30, SP 30 N, SP 30 R

Pos.	Pump type	SP 30, SP 30 N, SP 30 R				
	Kit No	96421732	96421733	96421734	96440246	96488047
	Number of stages	1-5	6-16	17-27	28-39	40-54
	Description					
3	Valve seat	1	1	1	1	-
6	Top bearing	1	1	1	1	1
6b	Lower bearing	1	1	1	1	1
7	Neck ring	5	16	27	39	54
8	Bearing	3	14	25	37	52
8a	Spacing washer	1	1	1	1	1
8b	Stop ring	1	1	1	1	1
25	Neck ring retainer	1	1	1	1	1
72	Wear ring	5	16	27	39	54

Impeller

Pos.	Pump type	SP 30	SP 30 N	SP 30 R
	Kit No	97506691	96903205	96903206
	Description			
11, 12, 13, 72	Impeller with split cone and nut	1	1	1

Split cone with nut

Pos.	Pump type	SP 30	SP 30 N	SP 30 R
	Kit No	97509658	96901972	96901973
	Description			
11	Split cone nut	1	1	1
12	Split cone	1	1	1

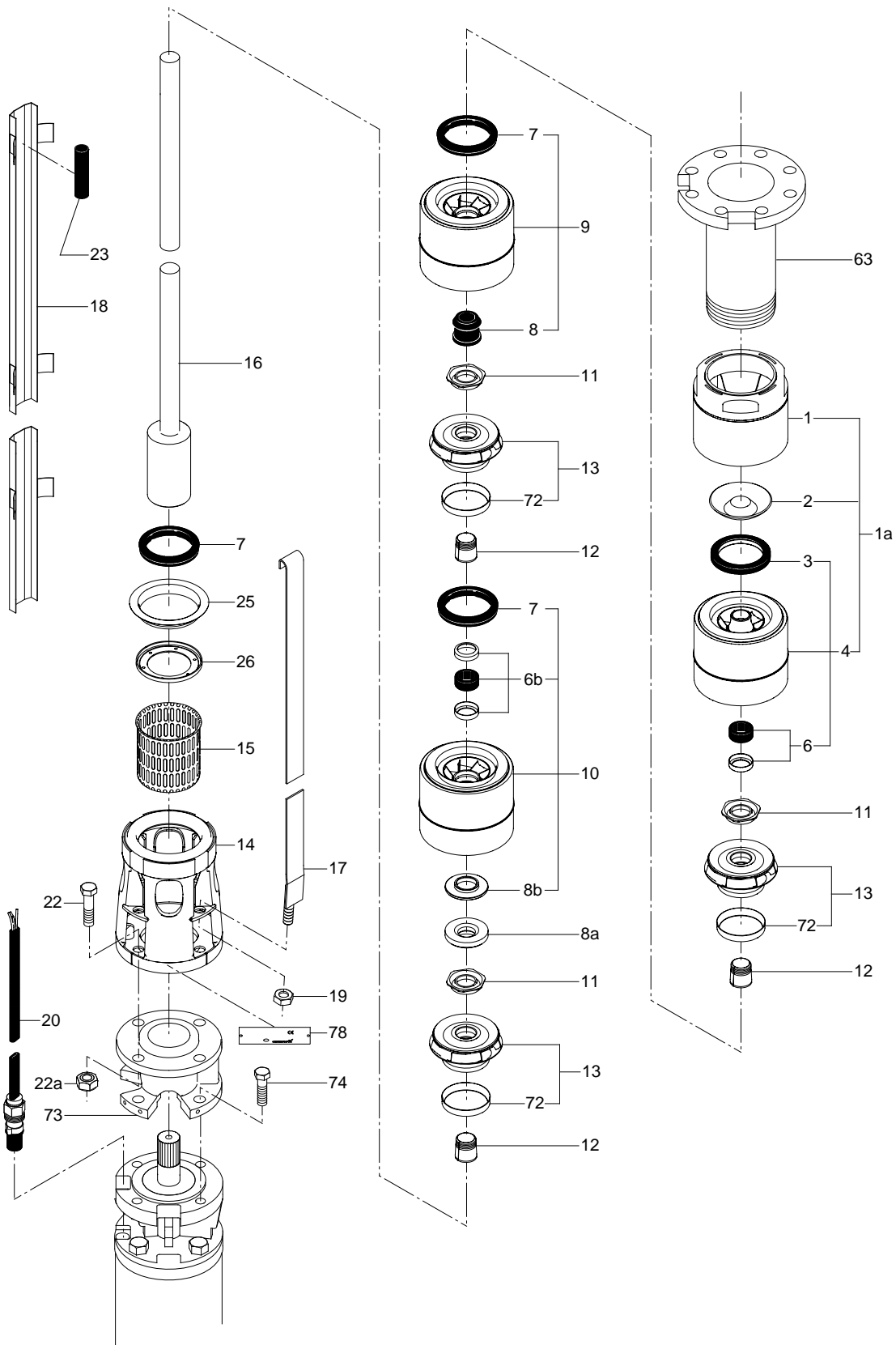
Split cone with stop nut

Pos.	Pump type	SP 30	SP 30 N	SP 30 R
	Kit No	97509673	96901980	96901981
	Description			
11	Split cone nut	1	1	1
12	Split cone	1	1	1
-	Spacing washer for stop ring	1	1	1

Cable termination (shrink-flex)

See the SP data booklet.

SP 30 model A



SP 30 model A SP

TM01 2259 2301

SP 30 model B**Wear parts, NBR****SP30, SP 30 N, SP 30 R**

Pos.	Kit No	97945522	97937877	97937878	97937879	97937880
	Number of stages	1-5	6-15	16-27	28-39	40-54
	Description					
3	Valve seat	1	1	1	1	1
6b	Bottom bearing	1	1	1	1	1
6b	Bearing cup	2	2	2	2	2
7	Neck ring	5	15	27	39	54
8	Bearing	4	14	26	38	53
8a	Spacing washer	1	1	1	1	1
8b	Stop ring	1	1	1	1	1
25	Retainer for neck ring	1	1	1	1	1
37	O-ring	-	-	1	1	1
72	Wear ring	5	15	27	39	54
142a	Bearing for valve cup	1	1	1	1	1

Wear parts, FKM**SP30, SP 30 N, SP 30 R**

Pos.	Kit No	97937898	97937899	97937900	97937901	97937902
	Number of stages	1-5	6-15	16-27	28-39	40-54
	Description					
3	Valve seat	1	1	1	1	1
6b	Bottom bearing	1	1	1	1	1
6b	Bearing cup	2	2	2	2	2
7	Neck ring	5	15	27	39	54
8	Bearing	4	14	26	38	53
8a	Spacing washer	1	1	1	1	1
8b	Stop ring	1	1	1	1	1
25	Retainer for neck ring	1	1	1	1	1
37	O-ring	-	-	1	1	1
72	Wear ring	5	15	27	39	54
142a	Bearing for valve cup	1	1	1	1	1

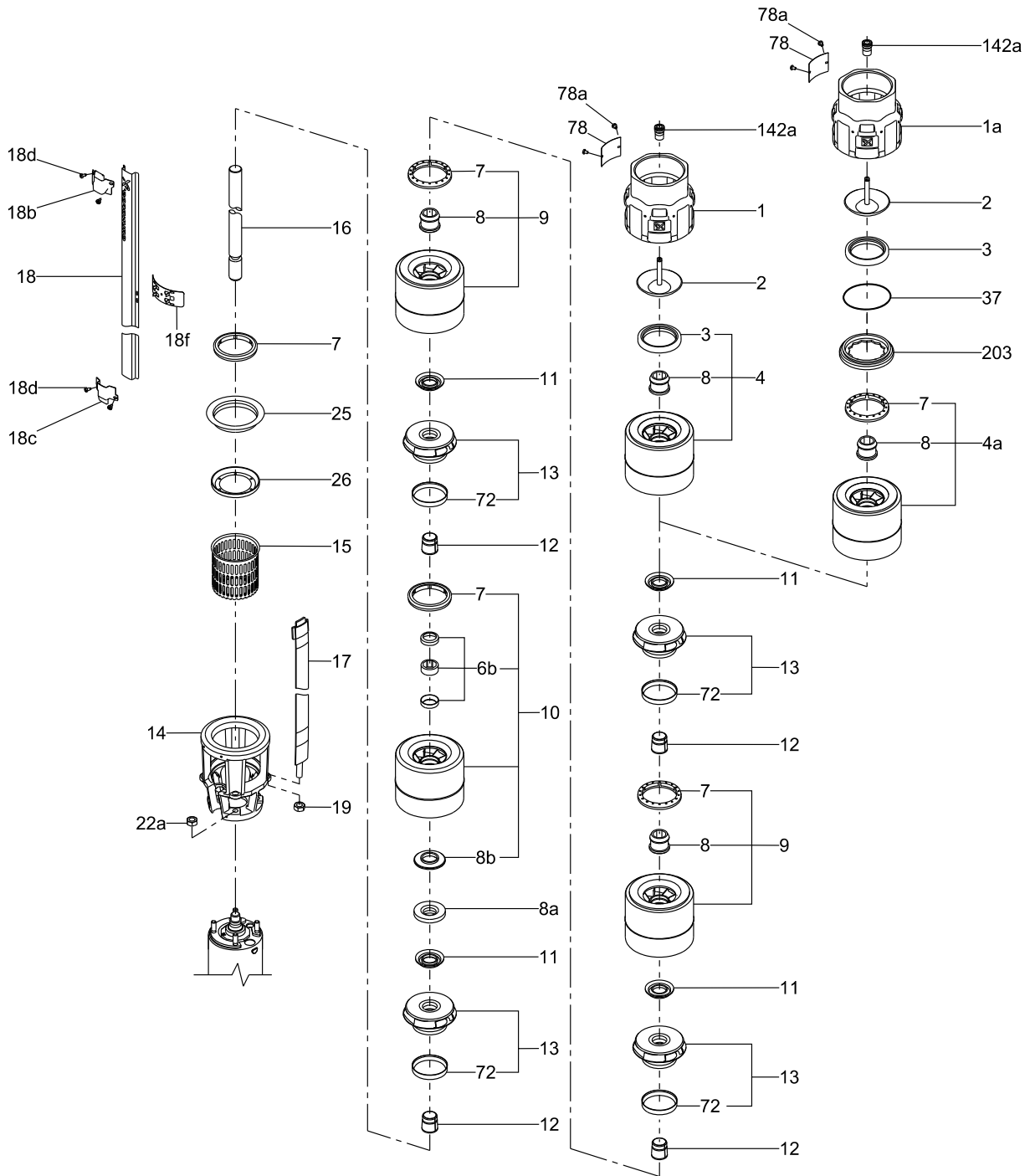
Wear parts, Wear resistant bearing**SP30, SP 30 N, SP 30 R**

Pos.	Kit No	98098314	98098315	98098316	98098317	98098318
	Number of stages	1-5	6-15	16-27	28-39	40-54
	Description					
3	Valve seat	1	1	1	1	1
6b	Bottom bearing	1	1	1	1	1
6b	Bearing cup	2	2	2	2	2
7	Neck ring	5	15	27	39	54
8	Bearing	4	14	26	38	53
8a	Spacing washer	1	1	1	1	1
8b	Stop ring	1	1	1	1	1
25	Retainer for neck ring	1	1	1	1	1
37	O-ring	-	-	1	1	1
72	Wear ring	5	15	27	39	54
142a	Bearing for valve cup	1	1	1	1	1

Cable termination (shrink-flex)

See the SP data booklet.

SP 30 model B



TM05 5374 3712

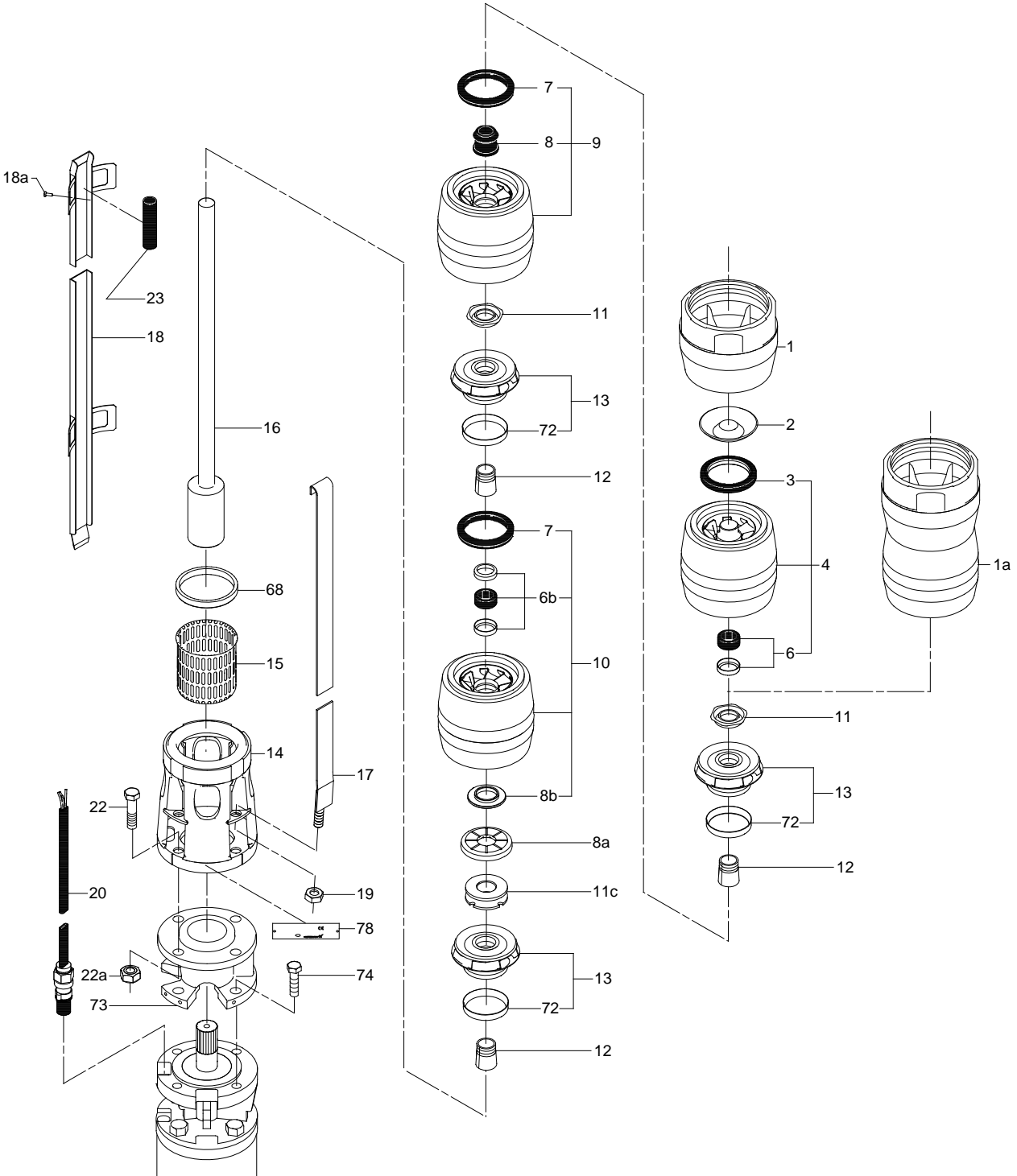
SP 46 model A**Wear parts****SP 46, SP 46 N, SP 46 R**

Kit No		96440248	96440250	96440252	96440254	96488048
Pos.	Number of stages	1-6	7-10	11-16	17-24	25-37
Description						
3	Valve seat	1	1	1	1	-
6	Top bearing	1	1	1	1	1
6b	Lower bearing	1	1	1	1	1
7	Neck ring	5	9	15	23	35
8	Bearing	4	8	14	22	35
8a	Spacing washer	1	1	1	1	1
8b	Stop ring	1	1	1	1	1
11c	Nut for stop ring	1	1	1	1	1
68	Bottom neck ring	1	1	1	1	1
72	Wear ring	6	10	16	24	37

Cable termination (shrink-flex)

See the SP data booklet.

SP 46 model A



SP 46 model A SP

TM00 5474 4000

SP 46 model B**Wear parts, NBR****SP 46, SP 46 N, SP 46 R**

Pos.	Kit No	97937881	97937882	97937883	97937884	97937885
	Number of stages	1-6	7-12	13-18	19-24	25-37
	Description					
3	Valve seat	1	1	1	1	1
6b	Bottom bearing	1	1	1	1	1
6b	Bearing cup	2	2	2	2	2
7	Neck ring	5	11	17	23	36
8	Bearing	5	11	17	23	36
8a	Spacing washer	1	1	1	1	1
8b	Stop ring	1	1	1	1	1
11c	Nut for stop ring	1	1	1	1	1
37	O-ring	-	-	1	1	1
68	Lower neck ring	1	1	1	1	1
72	Wear ring	6	12	18	24	37
142a	Bearing for valve cup	1	1	1	1	1

Wear parts, FKM**SP 46, SP 46 N, SP 46 R**

Pos.	Kit No	97937903	97937904	97937905	97937906	97937907
	Number of stages	1-6	7-12	13-18	19-24	25-37
	Description					
3	Valve seat	1	1	1	1	1
6b	Bottom bearing	1	1	1	1	1
6b	Bearing cup	2	2	2	2	2
7	Neck ring	5	11	17	23	35
8	Bearing	5	11	17	23	36
8a	Spacing washer	1	1	1	1	1
8b	Stop ring	1	1	1	1	1
11c	Nut for stop ring	1	1	1	1	1
37	O-ring	-	-	1	1	1
68	Lower neck ring	1	1	1	1	1
72	Wear ring	6	12	18	24	37
142a	Bearing for valve cup	1	1	1	1	1

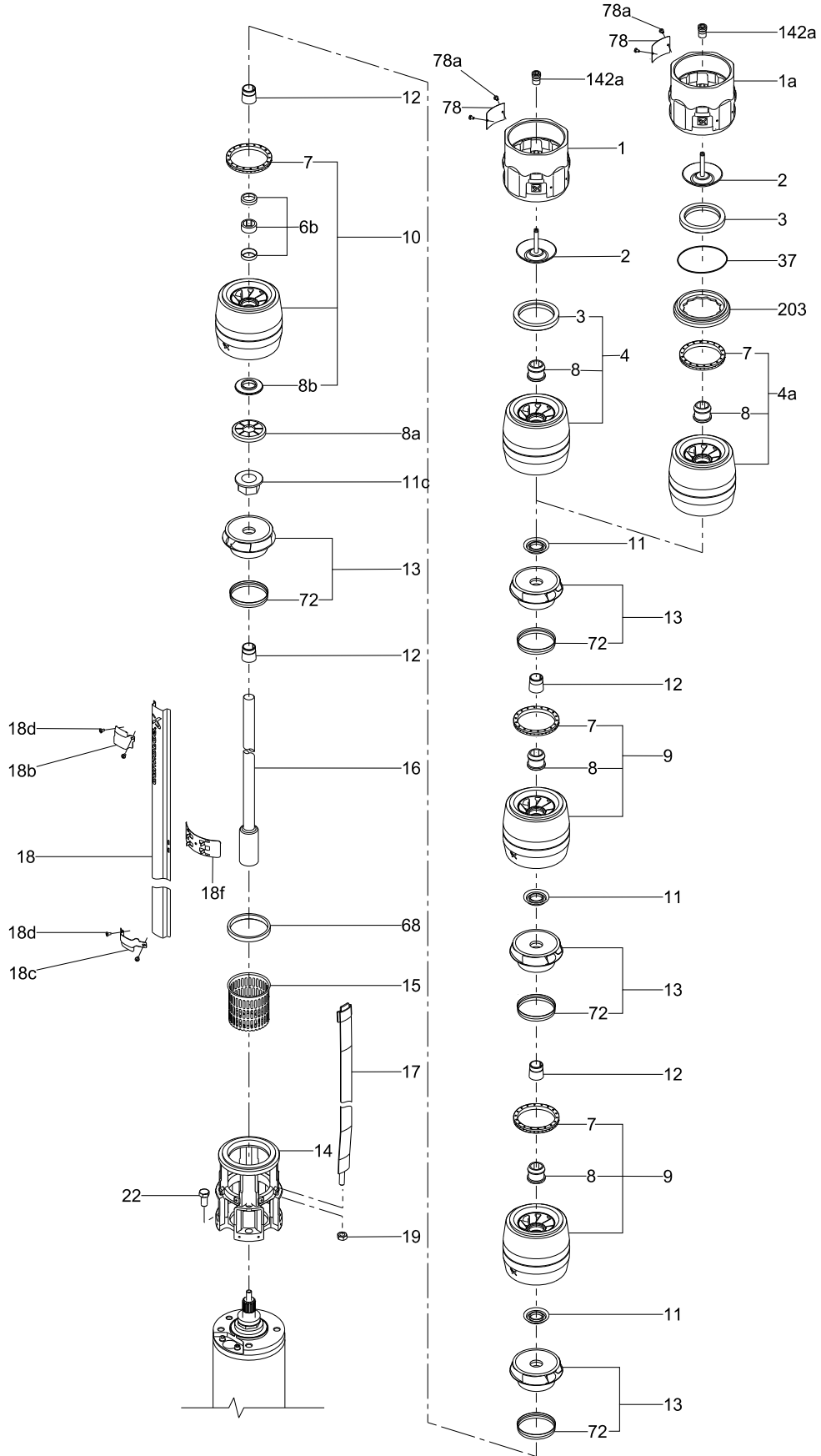
Wear parts, wear-resistant bearing**SP 46, SP 46 N, SP 46 R**

Pos.	Kit No	98098319	98098320	98098321	98098322	98098323
	Number of stages	1-6	7-12	13-18	19-24	25-37
	Description					
3	Valve seat	1	1	1	1	1
6b	Bottom bearing	1	1	1	1	1
6b	Bearing cup	2	2	2	2	2
7	Neck ring	5	11	17	23	36
8	Bearing	5	11	17	23	36
8a	Spacing washer	1	1	1	1	1
8b	Stop ring	1	1	1	1	1
11c	Nut for stop ring	1	1	1	1	1
37	O-ring	-	-	1	1	1
68	Lower neck ring	1	1	1	1	1
72	Wear ring	6	12	18	24	37
142a	Bearing for valve cup	1	1	1	1	1

Cable termination (shrink-flex)

See the SP data booklet.

SP 46 model B



SP 46 model B SP

TM05 4238 2012

SP 60 model A**Wear parts****SP 60, SP 60 N, SP 60 R**

Kit No		96440369	96440371	96440373	96440375	96488049
Pos.	Number of stages	1-6	7-10	11-16	17-22	23-30
Description						
3	Valve seat	1	1	1	-	-
6	Top bearing	1	1	1	-	1
6b	Lower bearing	1	1	1	1	1
7	Neck ring	5	9	15	21	29
8	Bearing	4	8	14	20	28
8a	Spacing washer	1	1	1	1	1
8b	Stop ring	1	1	1	1	1
11c	Nut for stop ring	1	1	1	1	1
68	Bottom neck ring	1	1	1	1	1
72	Wear ring	6	10	16	22	30

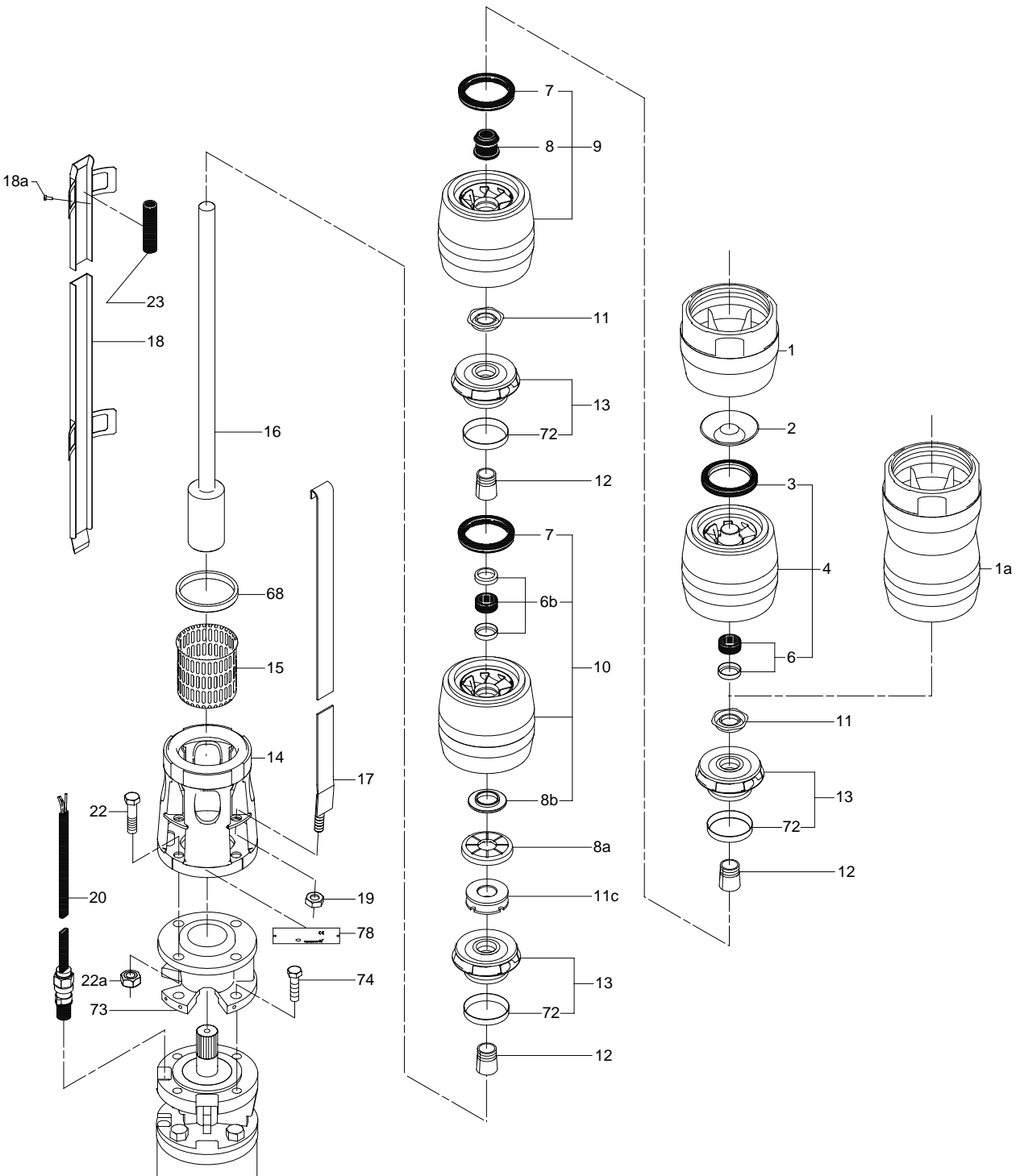
Wear parts**SP 60 NES**

Kit No		96440370	96440372	96440374	96440376
Pos.	Number of stages	1-6	7-10	11-16	17-22
Description					
3	Valve seat	1	1	1	-
6	Top bearing	1	1	1	-
6b	Lower bearing	1	1	1	1
7	Neck ring	5	9	15	21
8	Bearing	4	8	14	20
8a	Spacing washer	1	1	1	1
8b	Stop ring	1	1	1	1
11c	Nut for stop ring	1	1	1	1
68	Bottom neck ring	1	1	1	1
72	Wear ring	6	10	16	22

Cable termination (shrink-flex)

See the SP data booklet.

SP 60 model A



TM00 5474 4000

SP 60 model B**Wear parts, NBR****SP 60, SP 60 N, SP 60 R**

Pos.	Kit No	97937886	97937887	97937888	97937889	97937890
	Number of stages	1-6	7-12	13-18	19-24	25-30
	Description					
3	Valve seat	1	1	1	1	1
6b	Bottom bearing	1	1	1	1	1
6b	Bearing cup	2	2	2	2	2
7	Neck ring	5	11	17	23	29
8	Bearing	5	11	17	23	29
8a	Spacing washer	1	1	1	1	1
8b	Stop ring	1	1	1	1	1
11c	Nut for stop ring	1	1	1	1	1
37	O-ring	-	-	1	1	1
68	Lower neck ring	1	1	1	1	1
72	Wear ring	6	12	18	24	30
142a	Bearing for valve cup	1	1	1	1	1

Wear parts, FKM**SP 60, SP 60 N, SP 60 R**

Pos.	Kit No	97937908	97937909	97937910	97937911	97937912
	Number of stages	1-6	7-12	13-18	19-24	25-30
	Description					
3	Valve seat	1	1	1	1	1
6b	Bottom bearing	1	1	1	1	1
6b	Bearing cup	2	2	2	2	2
7	Neck ring	5	11	17	23	29
8	Bearing	5	11	17	23	29
8a	Spacing washer	1	1	1	1	1
8b	Stop ring	1	1	1	1	1
11c	Nut for stop ring	1	1	1	1	1
37	O-ring	-	-	1	1	1
68	Lower neck ring	1	1	1	1	1
72	Wear ring	6	12	18	24	30
142a	Bearing for valve cup	1	1	1	1	1

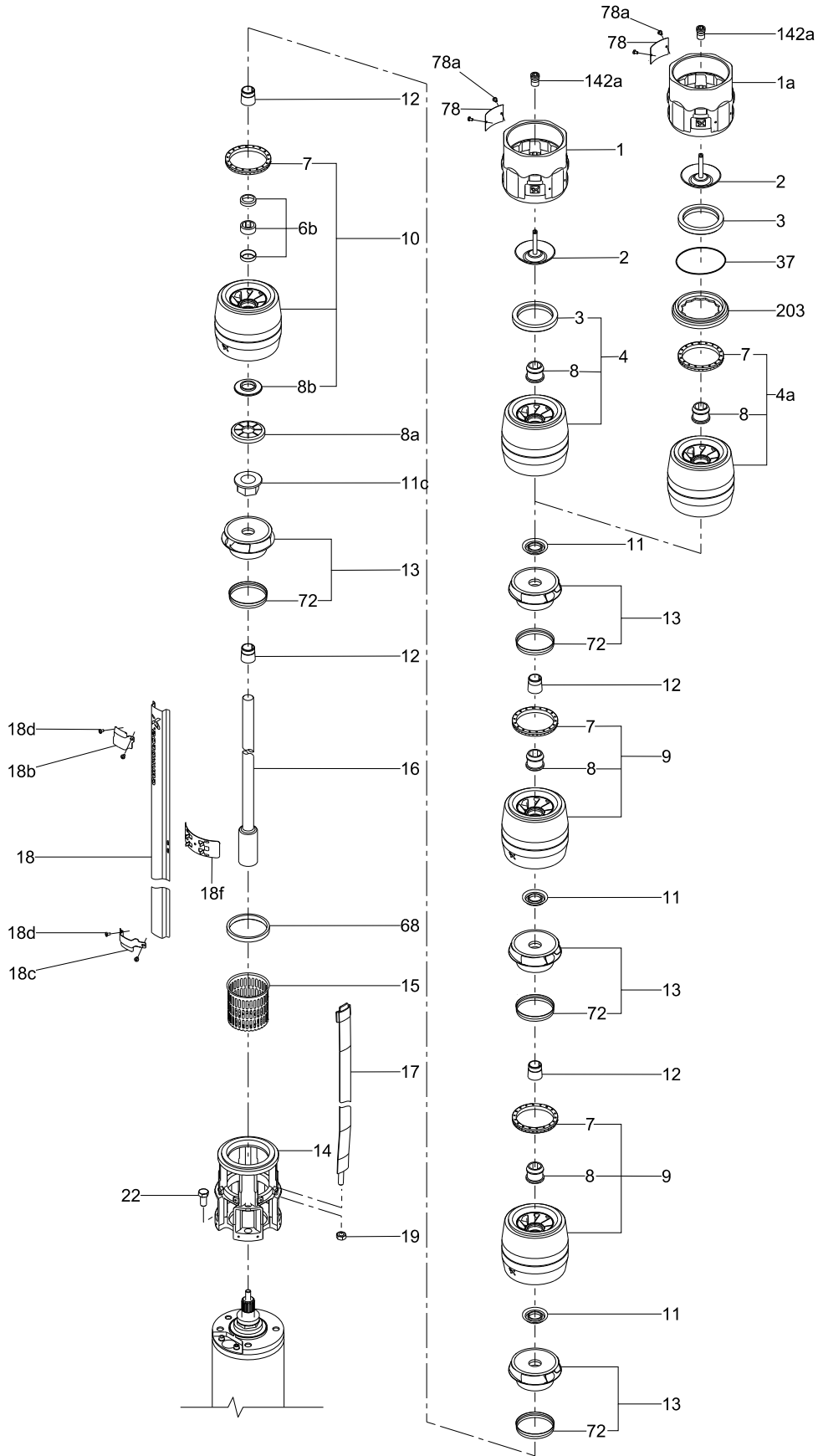
Wear parts, wear-resistant bearing**SP 60, SP 60 N, SP 60 R**

Pos.	Kit No	98098324	98098325	98098326	98098327	98098328
	Number of stages	1-6	7-12	13-18	19-24	25-30
	Description					
3	Valve seat	1	1	1	1	1
6b	Bottom bearing	1	1	1	1	1
6b	Bearing cup	2	2	2	2	2
7	Neck ring	5	11	17	23	29
8	Bearing	5	11	17	23	29
8a	Spacing washer	1	1	1	1	1
8b	Stop ring	1	1	1	1	1
11c	Nut for stop ring	1	1	1	1	1
37	O-ring	-	-	1	1	1
68	Lower neck ring	1	1	1	1	1
72	Wear ring	6	12	18	24	30
142a	Bearing for valve cup	1	1	1	1	1

Cable termination (shrink-flex)

See the SP data booklet.

SP 60 model B



TM05 4238 2012

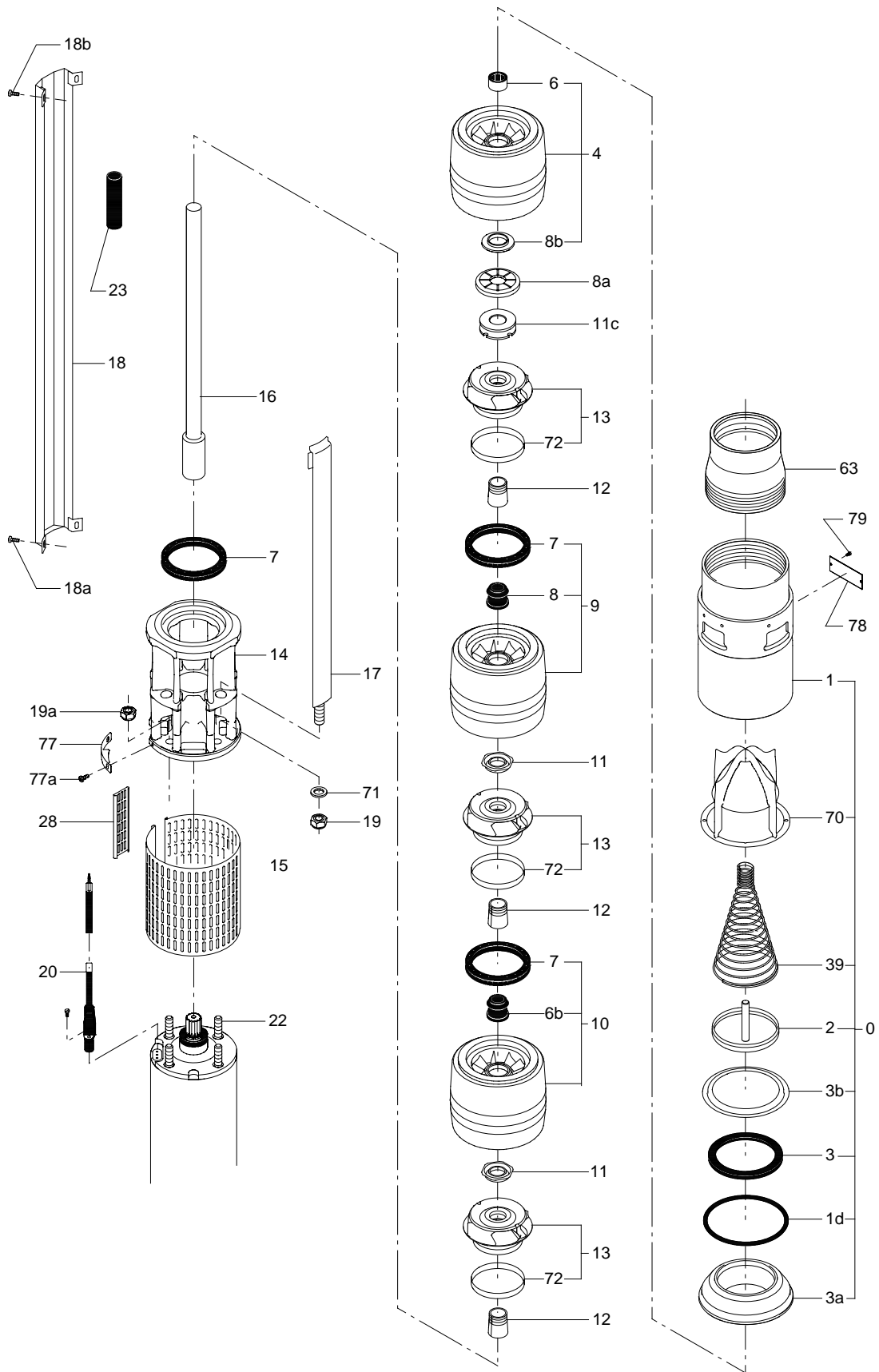
SP 77 model C, SP 95 model B**Wear parts**

Pos.	Pump type Kit No	SP 77, SP 77 N, SP 77 R			SP 95, SP 95 N, SP 95 R		
		96440256	96440258	96440260	96440715	96440716	96440717
	Description / number of stages	1-8	9-14	15-22	1-8	9-14	15-20
1d	O-ring	1	1	1	1	1	1
3	Valve seat	1	1	1	1	1	1
6	Bearing	1	1	1	1	1	1
7	Neck ring	7	13	21	7	13	19
8	Bearing	7	13	21	7	13	19
8a	Spacing washer	1	1	1	1	1	1
8b	Stop ring	1	1	1	1	1	1
11c	Nut for stop ring	1	1	1	1	1	1
72	Wear ring	8	14	22	8	14	20

Cable termination (shrink-flex)

See the SP data booklet.

SP 77 model C, SP 95 model B



TM01 2358 2301

SP 125 model C, D**50/60 Hz****Impeller**

	Pump type	SP 125	SP 125 N	SP 125 R
Pos.	Kit No	97506694	96903234	96903235
	Description			
11, 12, 13, 72	Impeller complete	1	1	1

Reduced-impeller

	Pump type	SP 125	SP 125 N	SP 125 R
Pos.	Kit No	97506727	96907105	96907107
	Description			
11, 12, 13, 72	Reduced impeller complete	1	1	1

Split cone with nut

	Pump type	SP 125	SP 125 N	SP 125 R
Pos.	Kit No	96903149	96903149	96903172
	Description			
11	Split cone nut	1	1	1
12	Split cone	1	1	1

Wear parts**SP 125, SP 125 N, SP 125 R**

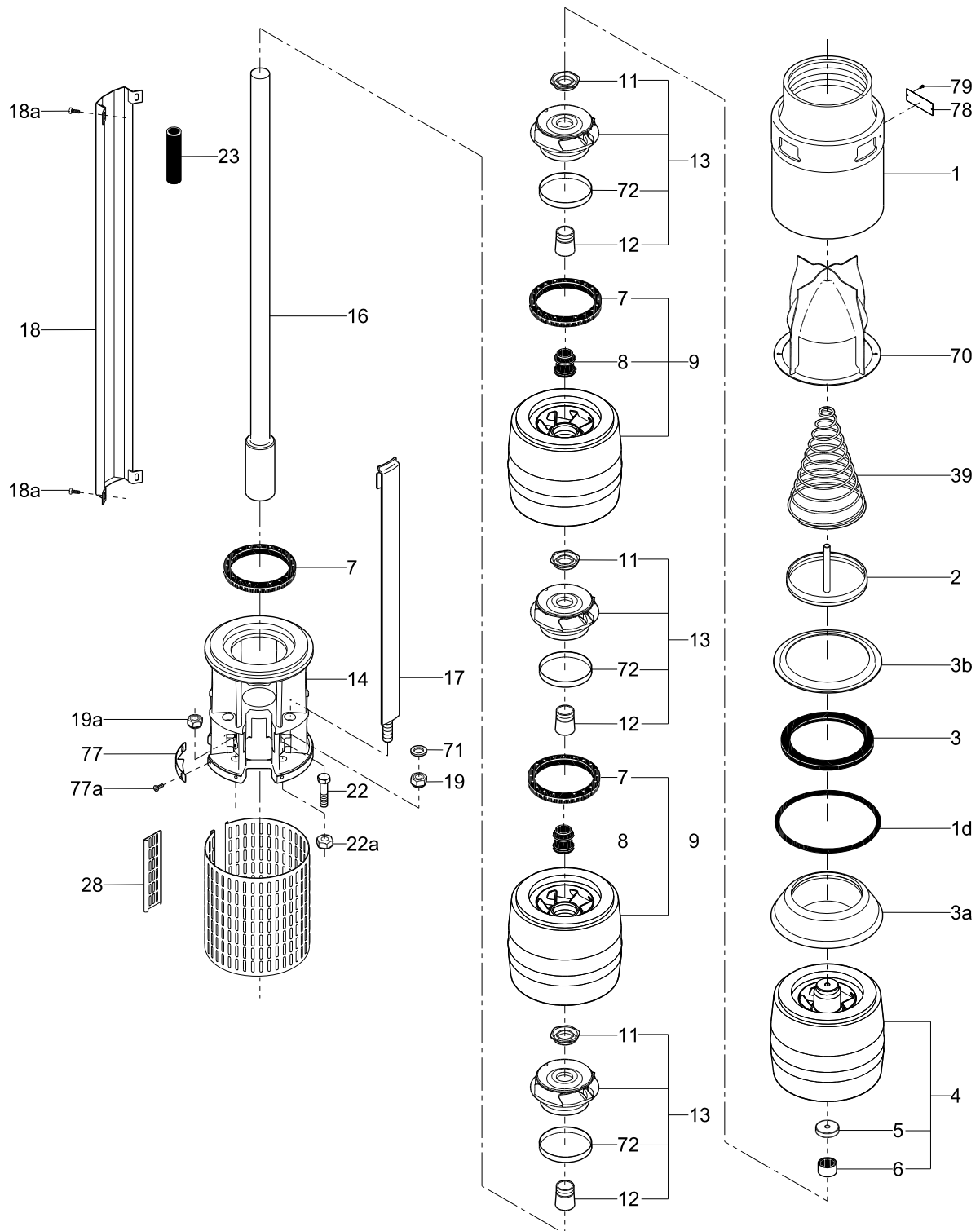
Pos.	Kit No	96440262	96440264	96440266	96488080
	Description / number of stages	1-4	5-6	7-10	11-17
1d	O-ring	1	1	1	1
3	Valve seat	1	1	1	1
5	Stop disc	1	1	1	1
6	Top bearing	1	1	1	1
7	Neck ring	3	5	9	16
8	Bearing	3	5	9	16
72	Wear ring	4	6	10	17

Cable termination (shrink-flex)

See the SP data booklet.

SP 125 model C, D

SP 125 model C, D SP



TM01 2360 3709

SP 160 model A, B**50/60 Hz****Impeller**

	Pump type	SP 160	SP 160 N	SP 160 R
Pos.	Kit No	97508270	96903236	96903237
	Description			
11, 12, 13, 72	Impeller complete	1	1	1

Reduced-impeller

	Pump type	SP 160	SP 160 N	SP 160 R
Pos.	Kit No	97508275	96907108	96907109
	Description			
11, 12, 13, 72	Reduced impeller complete	1	1	1

Split cone with nut

	Pump type	SP 160	SP 160 N	SP 160 R
Pos.	Kit No	96903149	96903149	96903172
	Description			
11	Split cone nut	1	1	1
12	Split cone	1	1	1

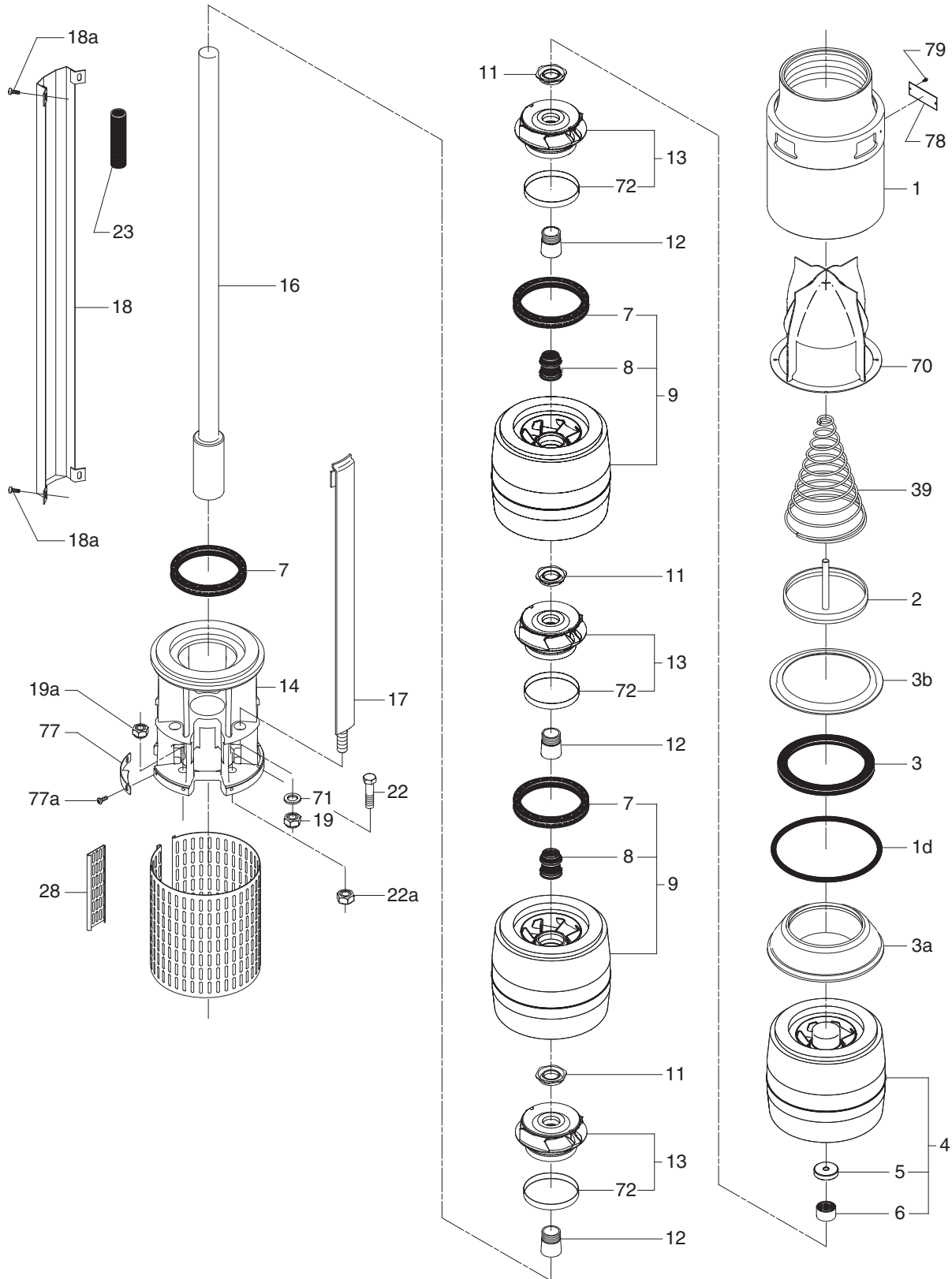
Wear parts**SP 160, SP 160 N, SP 160 R**

Pos.	Kit No	205117	205118	96488081
	Description / number of stages	1-5	6-9	10-15
1d	O-ring	1	1	1
3	Valve seat	1	1	1
5	Stop disc	1	1	1
6	Top bearing	1	1	1
7	Neck ring	4	8	14
8	Bearing	4	8	14
72	Wear ring	5	9	15

Cable termination (shrink-flex)

See the SP data booklet.

SP 160 model A, B



TM01 2360 2301

SP 215 model B, C**50/60 Hz****Impeller**

Pos.	Pump type	SP 215	SP 215 N	SP 215 R
	Kit No	97508277	96903238	96903239
Description				
11, 12, 13, 72	Impeller complete	1	1	1

Reduced-impeller

Pos.	Pump type	SP 215	SP 215 N	SP 215 R
	Kit No	97508278	96907110	96907111
Description				
11, 12, 13, 72	Reduced impeller complete	1	1	1

Split cone with nut

Pos.	Pump type	SP 215	SP 215 N	SP 215 R
	Kit No	97524682	96903175	96903176
Description				
11	Split cone nut	1	1	1
12	Split cone	1	1	1

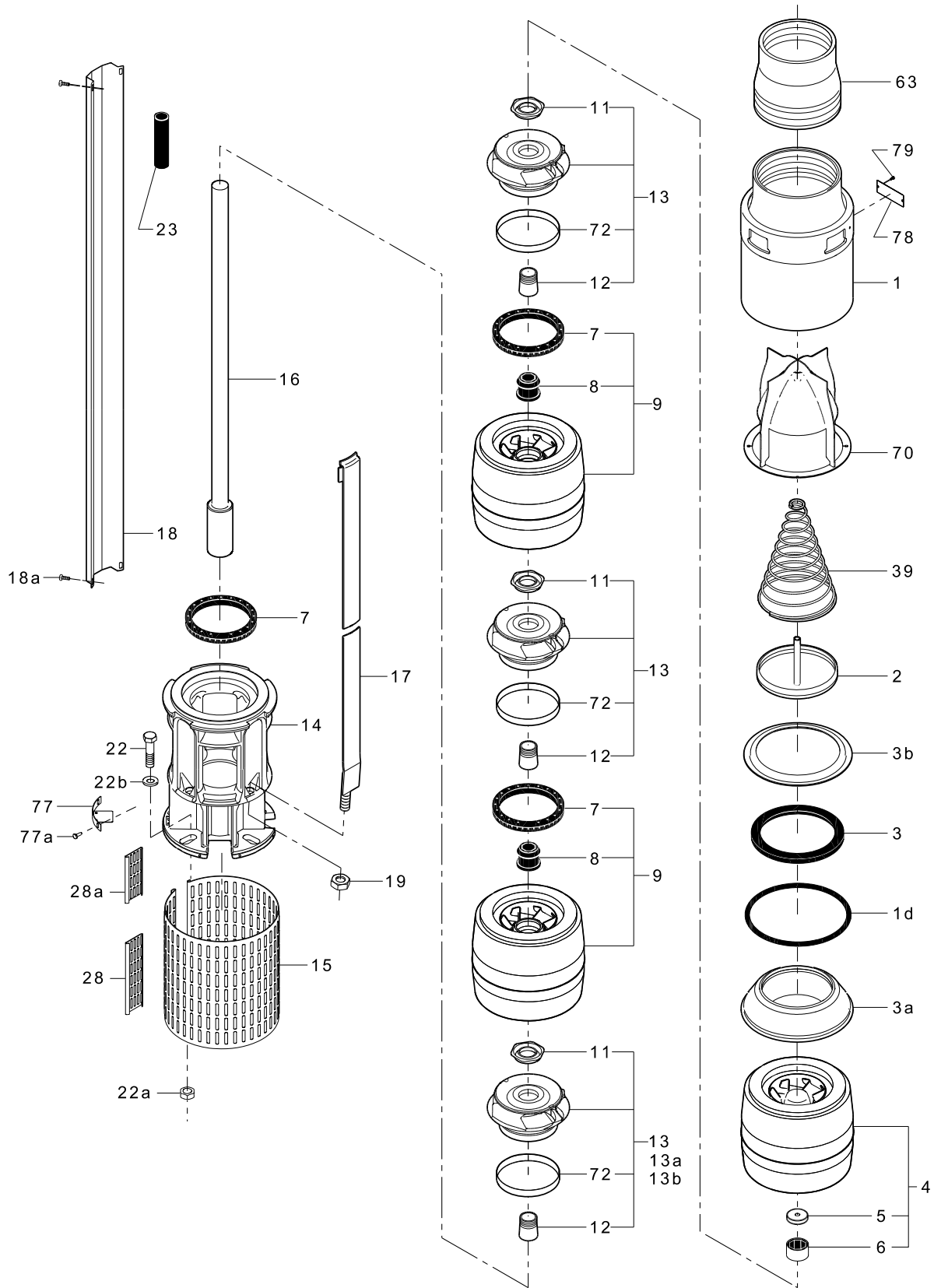
Wear parts**SP 215, SP 215 N, SP 215 R**

Pos.	Kit No	185033	185034	185035	185036
	Number of stages	1-2	3-4	5-7	8-11
Description					
1d	O-ring	1	1	1	1
3	Valve seat	1	1	1	1
5	Stop disc	1	1	1	1
6	Top bearing	1	1	1	1
7	Neck ring	1	3	6	10
8	Bearing	1	3	6	10
72	Wear ring	2	4	7	11

Cable termination (shrink-flex)

See the SP data booklet.

SP 215 model B, C



TM01 2362 4109